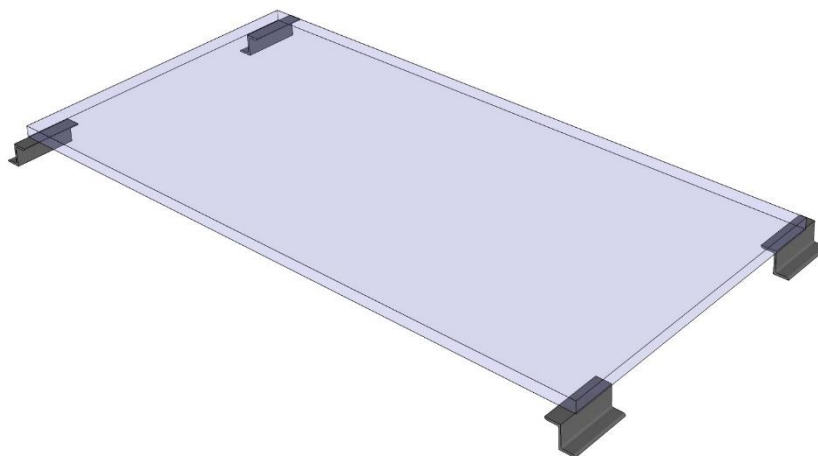




# Roof / Wall / Ground Mount Assembly Instructions

## Z - Brackets



## ASSEMBLY INSTRUCTIONS

Attach four Z - Brackets to solar module as shown below.

After placing module with attached feet in final location, pre-drill for lag screws or bolts. Trace location of feet with permanent marker then remove the module temporarily.

Squeeze 3M Brand 5200 Fast Cure sealant onto traced outlines in 3/16" thick "pads". Replace module with attached Z - Brackets onto these pads.

Barely lift two opposite corners of the Z - Brackets and place small spacers under them. Spacers should no thicker than 3/16" to allow sealant to fully fill gap. Screw lags or tighten bolts into hole until they JUST TOUCH THE Z - BRACKET. DO NOT TIGHTEN FURTHER.

When sealant is fully cured, remove the four spacers if possible, being careful not to break the water tight seal between surface and Z - Bracket.

### View of Narrow End of Solar Module

